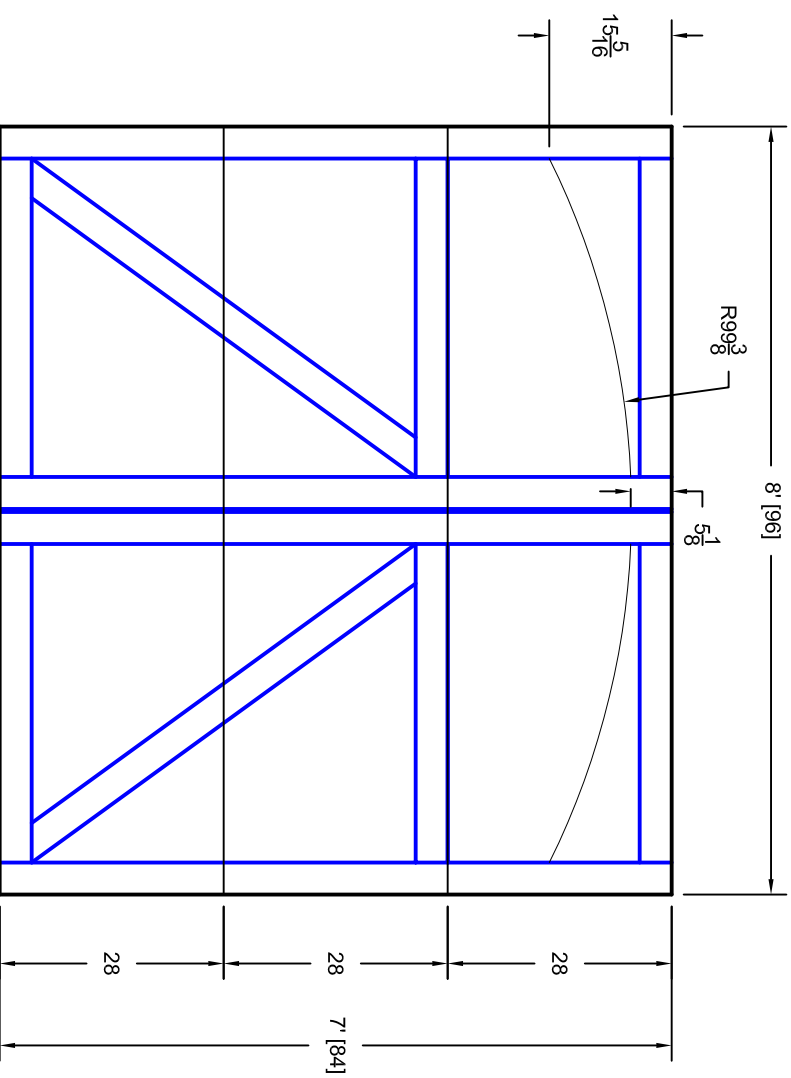


- Note:
1. Overlay board material: Steel.
 2. Arch material: Molded Polyurethane
 3. Overlay board width: 4 inches.
 4. Customer responsible to verify all field dimensions.



CUSTOMER APPROVAL REQUIRED FOR
MANUFACTURING

X _____

DRAWN BY	E Gebhard 12-14-05	TITLE	Bradford w / Large Solid Arch Top		
CHECKED			B11 8' X 7'		
DATE		SIZE	A	REV	A
APPD		SCALE		WT. ACT.	SHEET
DATE			7B087011		
APPD					
DATE					
APPD					
DATE					

Unless Otherwise Specified
Dimensions are in Inches

Tolerance on

Fractions	Decimals	Angles
+/- 1/16	XX +/- .03	+/- 0.5
	XXX +/- .01	
	X.XXX +/- .005	

7255 S. KYRENE
SUITE #104
TEMPE, AZ 85283
480-705-6632
480-705-8497 fax
www.firstudt.com